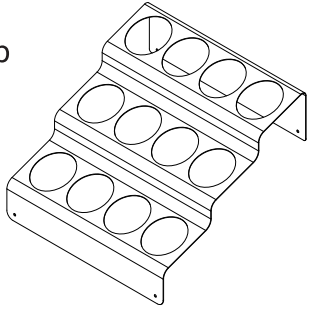


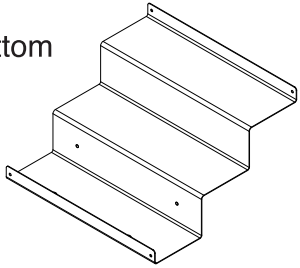
Pieces Included:

# TropicalSno Flavor Bottle Rack Assembly Guide

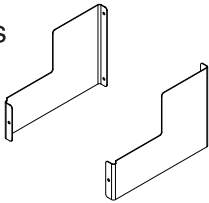
Top



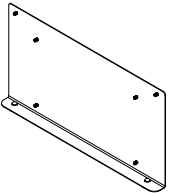
Bottom



Braces

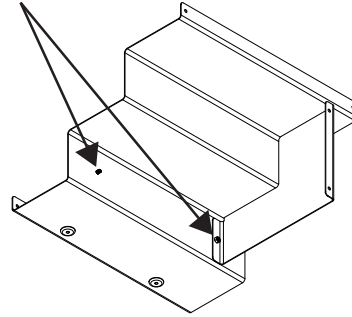


Back

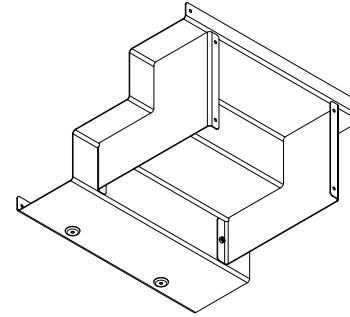


1.

Studs

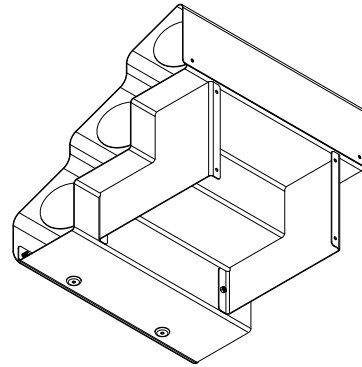


Bottom view

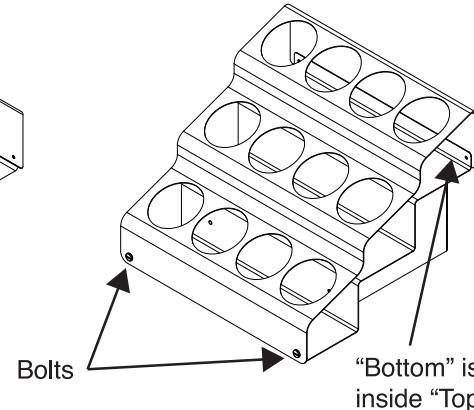


- **Align the Braces:** Place the short end of the braces onto the studs located on the underside of the "bottom" piece.
- **Position the Braces:** Make sure the bent edges of the braces are facing inward.
- **Secure the Braces:** Attach the braces by fastening them with nuts.

2.

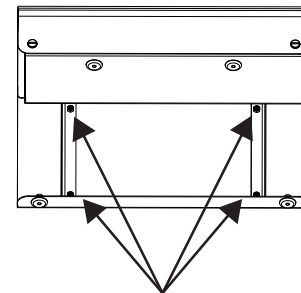
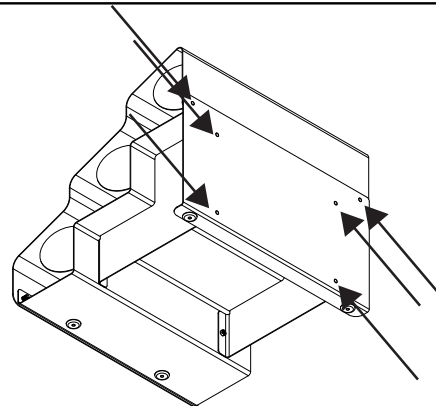


Bottom view



- **Position the "Top" Part:** Align the "Top" part with the "Bottom" part, making sure the holes at the bottom of both pieces line up.
- **Insert the Bolts:** Pass the bolts through the two aligned holes.
- **Secure with Nuts:** Attach the nuts on the inside to fix the pieces together.




3.



Bottom view

- **Insert the Posts:** Guide each of the six posts through the six corresponding holes on the back of the rack.
- **Secure with Nuts:** Install the remaining six nuts to firmly attach the posts to the rack.

Hardware Included:

- Hex Nuts  x10
- Bolts  x2
- Wrench  x1